

# **SIMAG**

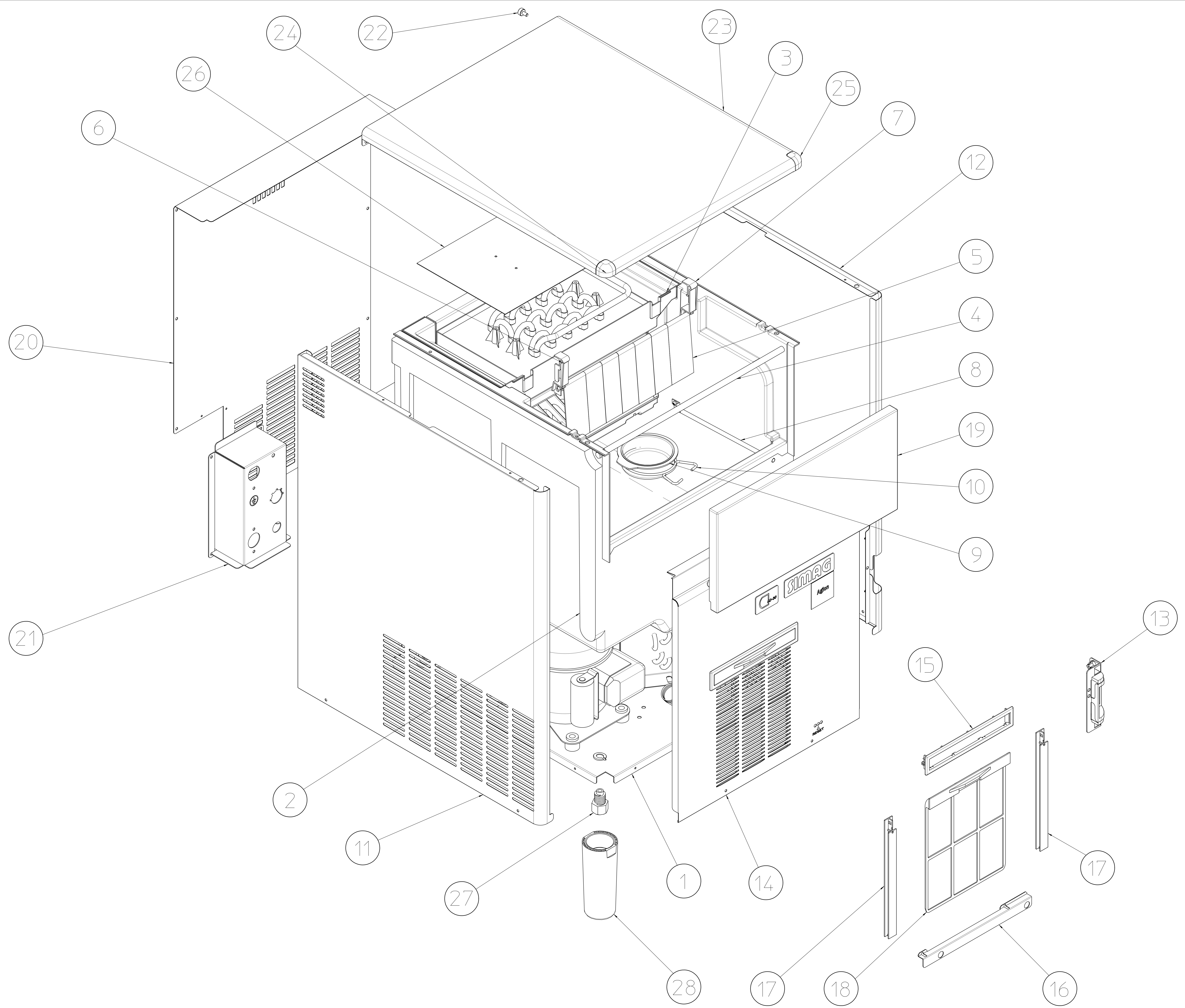
## **SDN 30**

## **SDN 35**

**R 134 A VERSION**

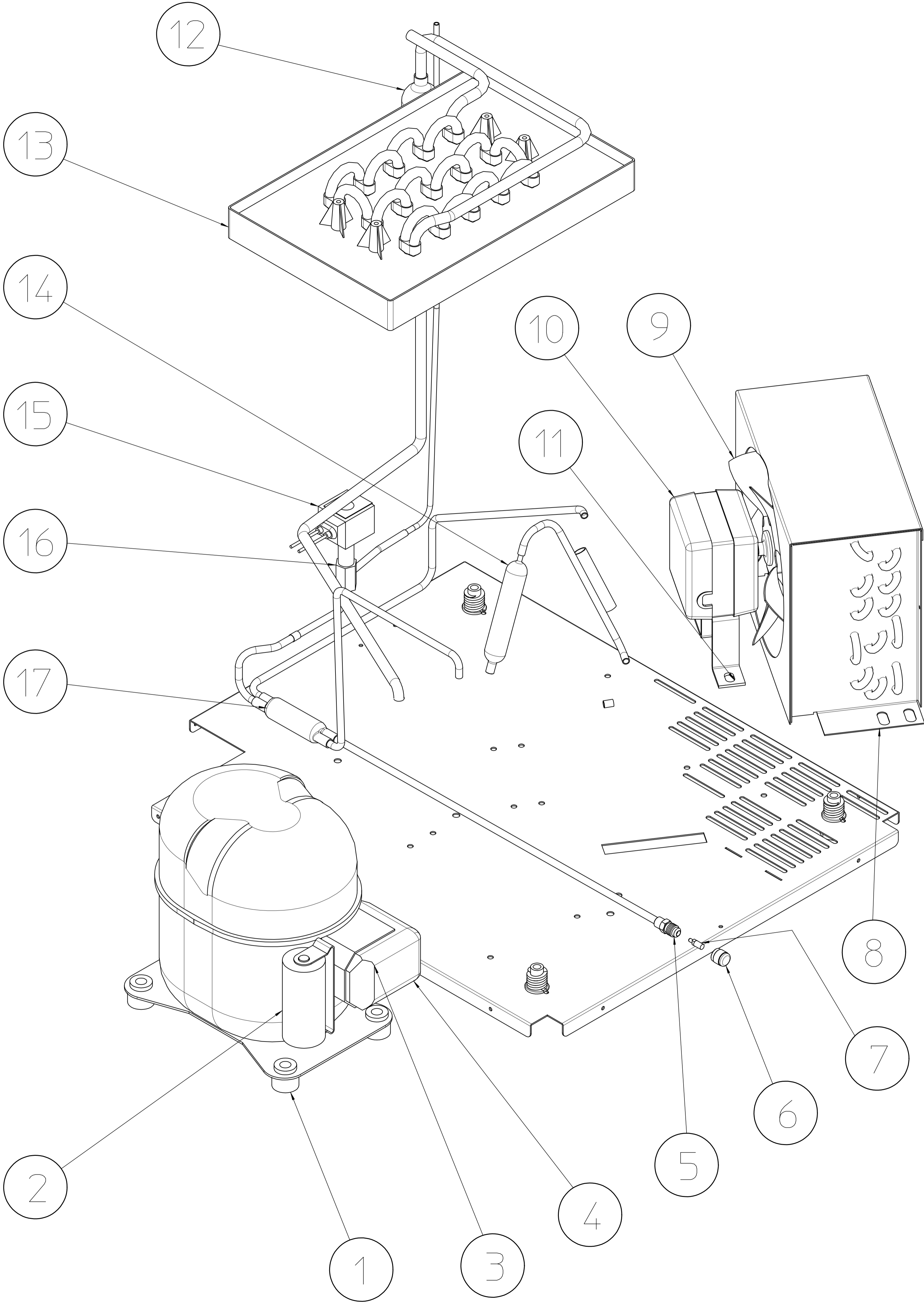
**SPARE PARTS LIST  
CATALOGO RICAMBI  
CATALOGUE PIÈCES DÉTACHÉES  
ERSATZTEILENKATALOG**

| PAGE<br>PAGINA<br>PAGE<br>SEITE | TABLE OF CONTENTS                           | INDICE  | TABLE DES MATIERES                                 | INHALTVERZEICHNIS                        |
|---------------------------------|---|---|--|--|
| 1                               | TABLE OF CONTENTS                           | INDICE  | TABLE DES MATIERES                                 | INHALTVERZEICHNIS                        |
| 2/3                             | UNIT PANELS                                 | ASSIEME MOBILE                                | ENS. CAROSSERIE                                    | MACHINE GEHAUSE                          |
| 4/5                             | REFRIGERANT SYSTEM<br>AIR COOLED            | SISTEMA REFRIGERANTE<br>RAFFR. AD ARIA        | CIRCUIT FRIGORIFIQUE<br>REFROID. A AIR             | GEFRIERSYSTEM<br>LUFTGEKUEHLT            |
| 6/7                             | REFRIGERANT SYSTEM<br>WATER COOLED          | SISTEMA REFRIGERANTE<br>RAFFR. AD ACQUA       | CIRCUIT FRIGORIFIQUE<br>REFROID. A EAU             | GEFRIERSYSTEM<br>WASSERGEKUEHLT          |
| 8/9                             | WATER SYSTEM                                | CIRCUITO IDRAULICO                            | CIRCUIT HYDRAULIQUE                                | WASSER SYSTEM                            |
| 10/11                           | CONTROL BOX                                 | SCATOLA DI CONTROLLO                          | BOITE ELECTRIQUE                                   | SCHALTSCHRANK                            |
| 12                              | COMPRESSOR AND ELECTRIC<br>COMPONENT CHARTS | TABELLA COMPRESSORI E<br>COMPONENTI ELETTRICI | Liste des compresseurs<br>et composants électrique | KOMPRESSOR UND ELEKTRISCHER<br>TEILLISTE |



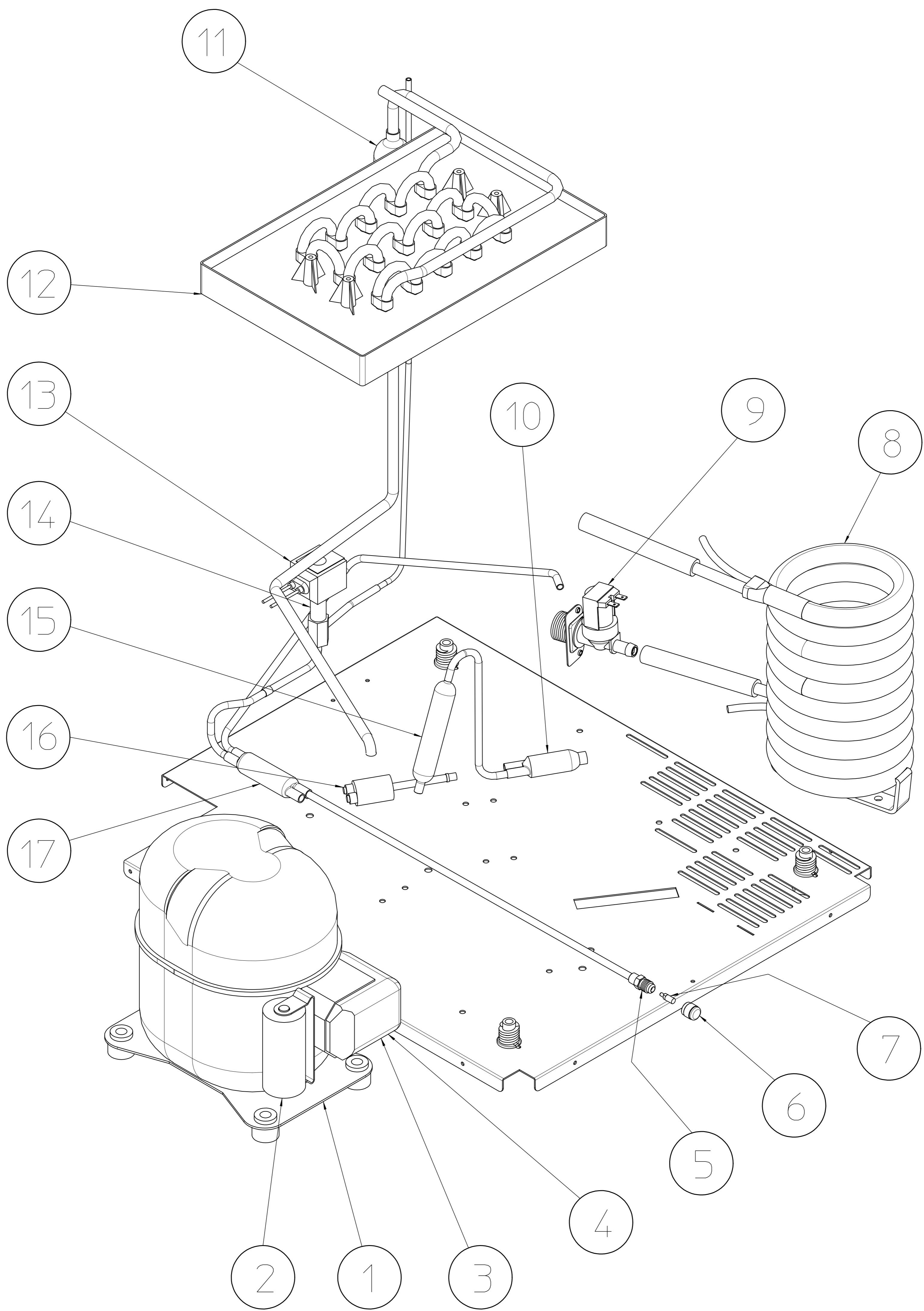
## SDN 30 - SDN 35 -UNIT PANELS - ASSIEME MOBILE - ENS. CARROSSERIE - MACHINE GEHAUSE-

| ITEM NO<br>POS. NO<br>REP. NO<br>REF. NO | PART NO<br>CODICE<br>REFERENCE<br>STUECK NR | DESCRIPTION                    | DESCRIZIONE                       | DESIGNATION                    | BESCHREIBUNG                     |
|--|---|--------------------------------|-----------------------------------|--------------------------------|----------------------------------|
| 1  | 702532 00                                   | BASE SDN 30                    | PIASTRA DI BASE SDN 30            | PLAQUE DE BASE SDN 30          | GRUNDPLATTE SDN 30               |
|  | 782692 00                                   | BASE SDN 35                    | PIASTRA DI BASE SDN 35            | PLAQUE DE BASE SDN 35          | GRUNDPLATTE SDN 35               |
| 2  | 782094 03                                   | INSULATED BIN ASSY SDN 30      | ASSIEME CELLA ISOLATA SDN 30      | ENS. CABINE SDN 30             | ISOLIEREISSPEICHER SDN 30        |
|  | 782094 04                                   | INSULATED BIN ASSY SDN 35      | ASSIEME CELLA ISOLATA SDN 35      | ENS. CABINE SDN 35             | ISOLIEREISSPEICHER SDN 35        |
| 3  | 660635 05                                   | EVAPORATOR HOUSING SDN 30      | INVOLUCRO EVAPORATORE SDN 30      | CHAMBRE INTERIEUR SDN 30       | CELLE INTERN SDN 30              |
|  | 660635 06                                   | EVAPORATOR HOUSING SDN 35      | INVOLUCRO EVAPORATORE SDN 35      | CHAMBRE INTERIEUR SDN 35       | CELLE INTERN SDN 35              |
| 4  | 732016 07                                   | BIN DOOR BRACKET               | ASTA SPORTELLO                    | TIGE PORTE                     | KLAPPENACHSE                     |
| 5  | 783171 01R                                  | CURTAIN ASSY                   | ASSIEME TENDINA                   | ENS. LAMELLE                   | ABDECKKLAPPE GESAMTHEIT          |
| 6  | 660388 00                                   | LEFT CURTAIN SUPPORT           | SUPP. TENDINA SINISTRO            | SUPP. LAMELLE GAUCHE           | LINKE ABDECKKLAPPE HALTERUNG     |
| 7  | 660388 01                                   | RIGHT CURTAIN SUPPORT          | SUPP. TENDINA DESTRO              | SUPP. LAMELLE DROITE           | RECHTE ABDECKKLAPPE HALTERUNG    |
| 8  | 732016 07                                   | BULB HOLDER                    | TUBO PORTABULBO                   | TUBE PORTEBULBE                | FUEHLERHALTER                    |
| 9  | 660741 00                                   | PLASTIC PLUG                   | TAPPO INVOLUCRO EVAPORAT.         | BOUCHON EN PLASTIQUE           | PLASTIKSTOPFEN                   |
| 10                                       | 460047 01                                   | SPRING                         | MOLLA                             | RESSORT                        | FEDER                            |
| 11                                       | 722303 00                                   | LEFT SIDE PANEL S.S.           | PANNELLO SINISTRO INOX            | JOUE GAUCHE ACIER INOX         | LINKE GEHÄUSESEITE EDELSTAHL     |
| 12                                       | 722302 00                                   | RIGHT SIDE PANEL S.S.          | PANNELLO DESTRO INOX              | JOUE DROITE ACIER INOX         | RECHTEGEHÄUSESEITE EDELSTAHL     |
| 13                                       | 660882 00                                   | FRONT SWITCH PLASTIC PROTEC.   | CARTER PROTEZIONE INTERRUPT.      | CARTER PROTECTION INTERRUPT    | SCHALTERABDECKUNG                |
| 14                                       | 722305 00                                   | FRONT. PANEL AIR VERS. SDN 30  | PANNEL. ANTER. VERS. ARIA SDN 30  | PANNEAU AVANT PAR AIR SDN 30   | VORDERWAND EDELST. LUFT SDN 30   |
|  | 722305 01                                   | FRONT. PANEL WAT. VERS. SDN 35 | PANNEL. ANTER. VERS. ACQUA SDN 35 | PANNEAU AVANT REFR. EAU SDN 35 | VORDERWAND EDELST. WASSER SDN 35 |
| 15                                       | 660886 00                                   | AIR FILTER SEAT                | SEDE FILTRO ARIA                  | SIEGE FILTER A AIR             | LUFTFILTERHALTER                 |
| 16                                       | 724422 01                                   | BRACKET SLIDE AIR FILTER       | SUPPORTO GUIDA FILTRO ARIA        | SUPPORT GLISSIERE FILTER A AIR | TRAGER FUHRUNF FUR LUFTFILTER    |
| 17                                       | 660887 00                                   | SLIDE AIR FILTER               | GUIDA FILTRO ARIA                 | GLISSIERE FILTER A AIR         | FUHRUNF FUR LUFTFILTER           |
| 18                                       | 660885 00                                   | AIR FILTER                     | FILTRO ARIA                       | FILTER A AIR                   | LUFT FILTIER                     |
| 19                                       | 782092 05R                                  | BIN DOOR                       | SPORTELLO                         | PORTE CABINE                   | SPEICHERTUER                     |
| 20                                       | 702533 00                                   | REAR PANEL                     | PANNELLO POSTERIORE               | PANNEAU POSTERIEUR             | HINTERE ABDECKUNG                |
| 21                                       | 702526 00                                   | METAL BRACKET FOR FITTING      | SUPPORTO ATTACCHI                 | SUPPORT DE RACCORDS            | METALLTRÄGER                     |
| 22                                       | 650806 00                                   | REAR STUD                      | PERNO POSTERIORE                  | AXE                            | STIFT                            |
| 23                                       | 722304 00                                   | TOP PANEL S.S.                 | PANNELLO SUPERIORE INOX           | ENS. COUVERCLE                 | DECKEL GESAMTHEIT                |
| 24                                       | 660884 01                                   | LEFT TOP CAP                   | TAPPO IN PLASTICA SINISTRO        | CAPUCHON EN PLAST. GAUCHE      | PLASTIK PROFEN LINK              |
| 25                                       | 660884 00                                   | RIGHT TOP CAP                  | TAPPO IN PLASTICA DESTRO          | CAPUCHON EN PLAST. DROITE      | PLASTIK PROFEN RECHT             |
| 26                                       | 650708 00                                   | PLASTIC COVER                  | COPERTURA IN PLASTICA             | PROTECTION EN PLASTIQUE        | PLASTIKABDECKUNG                 |
| 27                                       | 650382 01                                   | LEVELLING FOOT SDN 30          | PIEDE REGOLABILE SDN 30           | PIED RÉGLABE SDN 30            | GERÄTEFUSS SDN 30                |
| 28                                       | 660638 02                                   | LEVELLING FOOT SDN 35          | PIEDE REGOLABILE SDN 35           | PIED RÉGLABE SDN 35            | GERÄTEFUSS SDN 35                |
|  |   |                                |                                   |                                |                                  |



**SDN 30 - SDN 35 - REFRIGERANT SYSTEM AIR COOLED - SISTEMA REFRIGERANTE RAFFR. AD ARIA**  
**CIRCUIT FRIGORIFIQUE REFROID. PAR AIR - LUFTGEKÜHLT GEFRIERSYSTEM**

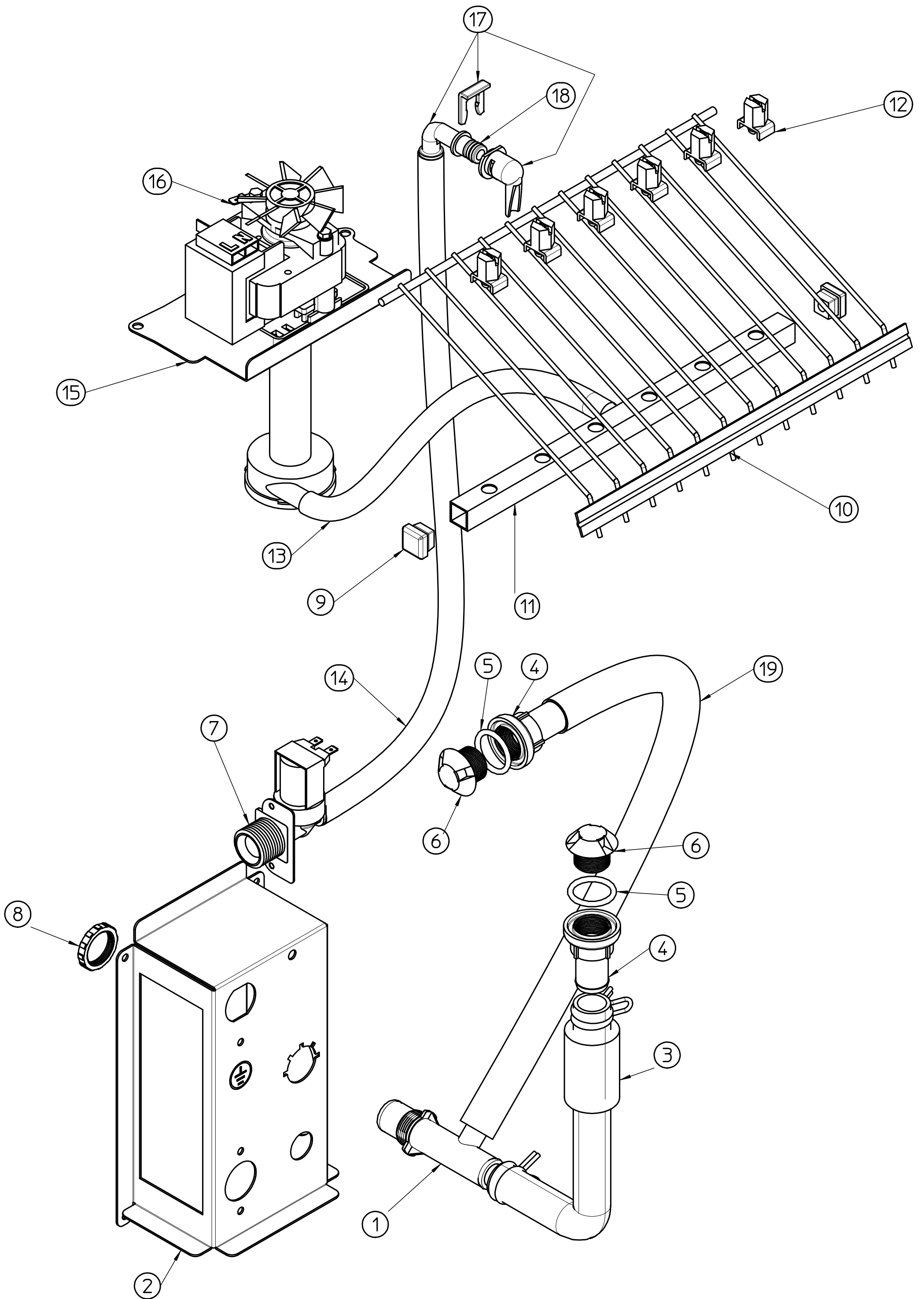
| ITEM NO<br>POS. NO<br>REP. NO<br>REF. NO | PART NO<br>CODICE<br>REFERENCE<br>STUECK NR | DESCRIPTION                 | DESCRIZIONE                 | DESIGNATION              | BESCHREIBUNG                    |
|--|---|-----------------------------|-----------------------------|--------------------------|---------------------------------|
| 1  | 670105 03                                   | COMPRESSOR                  | COMPRESSORE                 | COMPRESSEUR              | KOMPRESSOR                      |
| 2  | EMB 2252347                                 | START CAPACITOR             | CONDENSATORE D'AVVIAMENTO   | CAPACITE DE DEMARRAGE    | START CONDENSATOR               |
| 3  | EMB 2319069                                 | PROTECTOR                   | PROTETTORE                  | PROTECTEUR               | SCHUTZGERAT                     |
| 4  | EMB 2334116                                 | RELAY                       | RELE'                       | RELAIS                   | RELAIS                          |
| 5  | 650109 00                                   | VALVE BODY                  | CORPO VALVOLA               | CORPS DE VANNE           | VENTILGEHAUSE                   |
| 6  | 670012 00                                   | VALVE PISTON                | PISTONCINO VALVOLA          | PISTON                   | VENTILKOLBEN                    |
| 7  | 650106 00                                   | VALVE CAP                   | CAPPUCCIO VALVOLA           | CAPUCHON DE VANNE        | VENTILKLAPPE                    |
| 8  | 620285 00                                   | AIR COOLED CONDENSER SDN 30 | CONDENSATORE AD ARIA SDN 30 | CONDENSEUR A AIR SDN 30  | LUFT KONDENSATOR SDN 30         |
|  | 620276 02                                   | AIR COOLED CONDENSER SDN 35 | CONDENSATORE AD ARIA SDN 35 | CONDENSEUR A AIR SDN 35  | LUFT KONDENSATOR SDN 35         |
| 9  | 620419 32                                   | FAN BLADE                   | VENTOLA                     | HELICE                   | FLUGEL                          |
| 10                                       | 620419 02                                   | FAN MOTOR                   | MOTOVENTILATORE             | MOTO-VENTILATEUR         | LÜFTER GESAMTHEIT               |
| 11                                       | 620419 61                                   | FAN MOTOR BRACKET           | STAFFA VENTILATORE          | SUPPORT MOTORVENTILATEUR | LÜFTER MOTOR TRAEGER            |
| 12                                       | 784444 09                                   | ACCUMULATOR ASSY SDN 30     | ASSIEME ACCUMULATORE SDN 30 | ENS. ACCUMULATEUR SDN 30 | SAMMLER UND SAUGLEITUNG. SDN 30 |
|  | 784444 01                                   | ACCUMULATOR ASSY SDN 35     | ASSIEME ACCUMULATORE SDN 35 | ENS. ACCUMULATEUR SDN 35 | SAMMLER UND SAUGLEITUNG. SDN 35 |
| 13                                       | 784478 00                                   | EVAPORATOR SDN 30           | EVAPORATORE SDN 30          | EVAPORATEUR SDN 30       | VERDAMPFER SDN 30               |
|  | 784479 00                                   | EVAPORATOR SDN 35           | EVAPORATORE SDN 35          | EVAPORATEUR SDN 35       | VERDAMPFER SDN 35               |
| 14                                       | 630003 05                                   | DRIER                       | FILTRO DEUMIDIFICATORE      | FILTRE DESHYDRATEUR      | TROCKNER                        |
| 15                                       | 620306 48                                   | HOT GAS VALVE COIL          | BOBINA VALVOLA GAS CALDO    | BOBINE VANNE GAZ CHAUD   | HEISSGAZ VENTIL SPULE           |
| 16                                       | 620306 14                                   | HOT GAS VALVE BODY SDN 30   | CORPO VALVOLA SDN 30        | CORPS DE VANNE SDN 30    | VENTILGEHAUSE SDN 30            |
|  | 620306 22                                   | HOT GAS VALVE BODY SDN 35   | CORPO VALVOLA SDN 35        | CORPS DE VANNE SDN 35    | VENTILGEHAUSE SDN 35            |
| 17                                       | 630137 00                                   | MECHANICAL FILTER           | FILTRO MECCANICO            | FILTRE MECANIQUE         | MECHANISCHFILTERN               |
|  |   |                             |                             |                          |                                 |



**SDN 30 - SDN 35 - REFRIGERANT SYSTEM WATER COOLED - SISTEMA REFRIGERANTE RAFFR. AD ACQUA  
CIRCUIT FRIGORIFIQUE REFROID. PAR EAU - WASSERGEKÜHLT GEFRIERSYSTEM**

| ITEM NO<br>POS. NO<br>REP. NO<br>REF. NO | PART NO<br>CODICE<br>REFERENCE<br>STUECK NR | DESCRIPTION               | DESCRIZIONE                 | DESIGNATION              | BESCHREIBUNG                    |
|--|---|---------------------------|-----------------------------|--------------------------|---------------------------------|
| 1  | 670105 03                                   | COMPRESSOR                | COMPRESSORE                 | COMPRESSEUR              | KOMPRESSOR                      |
| 2  | EMB 2252347                                 | START CAPACITOR           | CONDENSATORE D'AVVIAMENTO   | CAPACITE DE DEMARRAGE    | START CONDENSATOR               |
| 3  | EMB 2319069                                 | PROTECTOR                 | PROTETTORE                  | PROTECTEUR               | SCHUTZGERAT                     |
| 4  | EMB 2334116                                 | RELAY                     | RELE'                       | RELAIS                   | RELAIS                          |
| 5  | 650109 00                                   | VALVE BODY                | CORPO VALVOLA               | CORPS DE VANNE           | VENTILGEHAUSE                   |
| 6  | 670012 00                                   | VALVE PISTON              | PISTONCINO VALVOLA          | PISTON                   | VENTILKOLBEN                    |
| 7  | 650106 00                                   | VALVE CAP                 | CAPPUCCIO VALVOLA           | CAPUCHON DE VANNE        | VENTILKLAPPE                    |
| 8  | 620389 02                                   | WATER COOLED CONDENSER    | CONDENSATORE AD ACQUA       | CONDENSEUR A EAU         | WASSER KONDENSATOR              |
| 9  | 650105 70                                   | WATER INLET VALVE         | ELETTROVALVOLA              | VANNE ARRIVÉE EAU        | ELEKTROVENTIL                   |
| 10                                       | 630020 01                                   | MECHANICAL FILTER         | FILTRO MECCANICO            | FILTRE MECANIQUE         | MECHANISCHFILTERN               |
| 11                                       | 784444 09                                   | ACCUMULATOR ASSY SDN 30   | ASSIEME ACCUMULATORE SDN 30 | ENS. ACCUMULATEUR SDN 30 | SAMMLER UND SAUGLEITUNG. SDN 30 |
|  | 784444 01                                   | ACCUMULATOR ASSY SDN 35   | ASSIEME ACCUMULATORE SDN 35 | ENS. ACCUMULATEUR SDN 35 | SAMMLER UND SAUGLEITUNG. SDN 35 |
| 12                                       | 784478 00                                   | EVAPORATOR SDN 30         | EVAPORATORE SDN 30          | EVAPORATEUR SDN 30       | VERDAMPFER SDN 30               |
|  | 784479 00                                   | EVAPORATOR SDN 35         | EVAPORATORE SDN 35          | EVAPORATEUR SDN 35       | VERDAMPFER SDN 35               |
| 13                                       | 620306 48                                   | HOT GAS VALVE COIL        | BOBINA VALVOLA GAS CALDO    | BOBINE VANNE GAZ CHAUD   | HEISSGAZ VENTIL SPULE           |
| 14                                       | 620306 14                                   | HOT GAS VALVE BODY SDN 30 | CORPO VALVOLA SDN 30        | CORPS DE VANNE SDN 30    | VENTILGEHAUSE SDN 30            |
|  | 620306 22                                   | HOT GAS VALVE BODY SDN 35 | CORPO VALVOLA SDN 35        | CORPS DE VANNE SDN 35    | VENTILGEHAUSE SDN 35            |
| 15                                       | 630003 05                                   | DRIER                     | FILTRO DEUMIDIFICATORE      | FILTRE DESHYDRATEUR      | TROCKNER                        |
| 16                                       | 620499 01                                   | PRESSURE CONTROL          | PRESSOSTATO                 | PRESSOSTAT               | PRESSOSTAT                      |
| 17                                       | 630137 00                                   | MECHANICAL FILTER         | FILTRO MECCANICO            | FILTRE MECANIQUE         | MECHANISCHFILTERN               |
|  |   |                           |                             |                          |                                 |



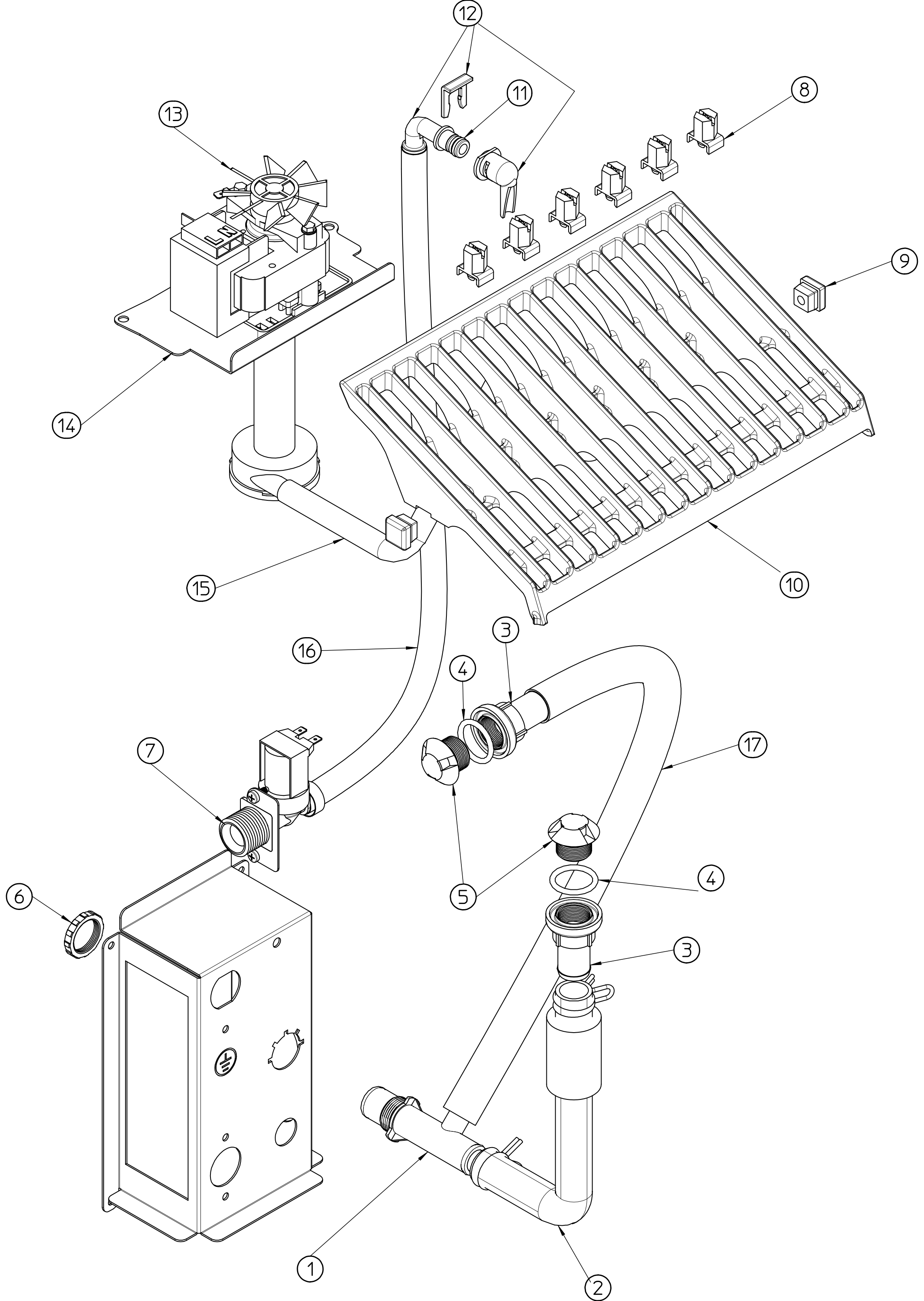


## SDN 30 - SDN 35 - WATER SYSTEM - CIRCUITO IDRAULICO - CIRCUIT HYDRAULIQUE - WASSERSYSTEM-

up to/fino a/jusq'à/bis SDN 30 Serial Number MB 781714

up to/fino a/jusq'à/bis SDN 35 Serial Number MC 277979

| ITEM NO<br>POS. NO<br>REP. NO<br>REF. NO | PART NO<br>CODICE<br>REFERENCE<br>STUECK NR | DESCRIPTION                   | DESCRIZIONE                 | DESIGNATION                    | BESCHREIBUNG                 |
|--|---|-------------------------------|-----------------------------|--------------------------------|------------------------------|
| 1  | 660224 00                                   | WATER DRAIN FITTING           | RACCORDO A "T"              | RACCORD EVACUATION EAU         | WASSERABFLUSSANSCHLUSSE      |
| 2  | 702526 00                                   | METAL BRACKET FOR FITTING     | SUPPORTO ATTACCHI           | SUPPORT DE RACCORDS            | METALLTRÄGER                 |
| 3  | 610148 09                                   | STORAGE BIN DRAIN             | TUBO SCARICO CONTENITORE    | TUYAU VIDANGE CONTENEUR        | BEHÄLTERAUSLAUFSCHLAUCH      |
| 4  | 660219 02                                   | BIN DRAIN                     | RACCORDO DI SCARICO         | RACCORD EVACUATION             | ABFLUSSROHR                  |
| 5  | 640134 00                                   | O-RING                        | GUARNIZIONE                 | JOINT TORIQUE                  | SIMMER RING                  |
| 6  | 660211 01                                   | DRAIN FILTER                  | FILTRO SCARICO              | FILTRE EVACUATION EAU          | ABFLUSSFILTER                |
| 7  | 650105 66                                   | WATER INLET VALVE - AIR COOL. | ELETTROVALVOLA INGR. ACQUA  | ELECTROV. ARR. EAU - REFR. AIR | WASSEREINLAUFVENTIL - LUFT   |
|  | 650105 70                                   | WATER INL. VAL. - WATER COOL. | ELETTROVALVOLA INGR. ACQUA  | ELECTROV. ARR. EAU - REFR. EAU | WASSEREINLAUFVENTIL - WASSER |
| 8  | 660535 00                                   | PLASTIC RING NUT              | GHIERA                      | COLLIER DE SERRAGE EN PLAST.   | PLASTIKRING MUTTER           |
| 9  | 660557 00                                   | SPRAY CUP                     | UGELLO SPRUZZATORE          | BOUCHON POUR COLLECTEUR        | STOPFEN                      |
| 10                                       | 650707 00                                   | ICE DEFLECTOR                 | GRIGLIA SCORRIMENTO CUBETTI | GRILLE GLISSEMENT GLAÇON       | ABGLEITGRILL                 |
| 11                                       | 650665 16                                   | SPRAY BAR SDN 30              | TUBO SPRUZZATORE SDN 30     | COLLECTEUR SDN 30              | KOLLEKTOR SDN 30             |
|  | 650665 17                                   | SPRAY BAR SDN 35              | TUBO SPRUZZATORE SDN 35     | COLLECTEUR SDN 35              | KOLLEKTOR SDN 35             |
| 12                                       | 660558 00                                   | SPRAY JET                     | SPRUZZATORI                 | GICLEURS                       | SPRÜHDÜSEN                   |
| 13                                       | 610225 00                                   | PUMP INLET WATER PIPE         | TUBO MANDATA POMPA          | TUYAU EVACUATION               | ABFLUSSROHR                  |
| 14                                       | 281900 01                                   | PLASTIC TUBE - PER METER      | TUBO INGRESSO ACQUA         | TUYAU EN PLASTIQUE - POUR MT.  | PLASTIK ROHR - PRO METER     |
| 15                                       | 724332 00                                   | METAL BRACKET                 | SUPPORTO POMPA              | SUPPORT METALLIQUE             | METALTRÄGER                  |
| 16                                       | 620433 00                                   | WATER PUMP                    | POMPA                       | POMPE A EAU                    | WASSER PUMPE                 |
| 17                                       | 793172 00R                                  | WATER INLET ELBOW ASSY        | ASS. INGR. ACQUA A GOMITO   | ENS. ENTREE EAU COUDEE         | ABGEWINKEL ZULAUFROHR        |
| 18                                       | 640041 31                                   | O-RING                        | GUARNIZIONE                 | JOINT TORIQUE                  | SIMMER RING                  |
| 19                                       | 610204 00                                   | OVERFLOW DRAIN TUBE           | TUBO SCARICO TROPPO PIENO   | TUYAU VIDANGE TROP PLAIN       | BEHÄLTER ABLAUF              |
|  |   |                               |                             |                                |                              |

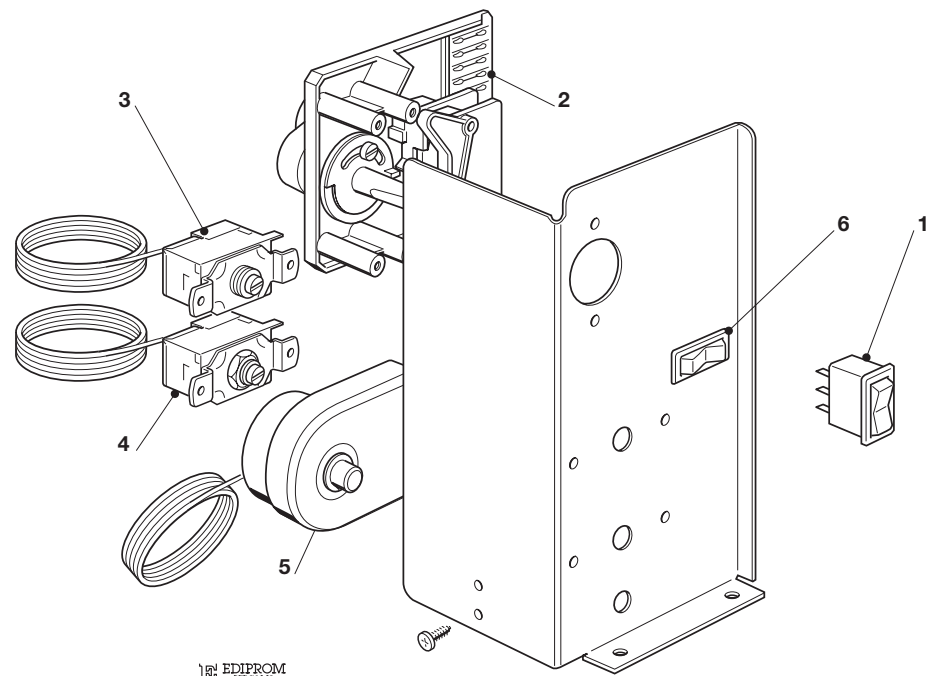


## SDN 30 - SDN 35 -WATER SYSTEM - CIRCUITO IDRAULICO - CIRCUIT HYDRAULIQUE - WASSERSYSTEM-

from/dal/a partir du/von SDN 30 Serial Number MB 781715

from/dal/a partir du/von SDN 35 Serial Number MC 277980

| ITEM NO<br>POS. NO<br>REP. NO<br>REF. NO | PART NO<br>CODICE<br>REFERENCE<br>STUECK NR | DESCRIPTION                   | DESCRIZIONE                    | DESIGNATION                    | BESCHREIBUNG                 |
|--|---|-------------------------------|--------------------------------|--------------------------------|------------------------------|
| 1  | 660224 00                                   | WATER DRAIN FITTING           | RACCORDO A "T"                 | RACCORD EVACUATION EAU         | WASSERABFLUSSANSCHLUSSE      |
| 2  | 610148 09                                   | STORAGE BIN DRAIN             | TUBO SCARICO CONTENITORE       | TUYAU VIDANGE CONTENEUR        | BEHÄLTERAUSLAUFSCHLAUCH      |
| 3  | 660219 02                                   | BIN DRAIN                     | RACCORDO DI SCARICO            | RACCORD EVACUATION             | ABFLUSSROHR                  |
| 4  | 640134 00                                   | O-RING                        | GUARNIZIONE                    | JOINT TORIQUE                  | SIMMER RING                  |
| 5  | 660211 01                                   | DRAIN FILTER                  | FILTRO SCARICO                 | FILTRE EVACUATION EAU          | ABFLUSSFILTER                |
| 6  | 660535 00                                   | PLASTIC RING NUT              | GHIERA                         | COLLIER DE SERRAGE EN PLAST.   | PLASTIKRING MUTTER           |
| 7  | 650105 66                                   | WATER INLET VALVE - AIR COOL. | ELETTROVALVOLA INGR. ACQUA     | ELECTROV. ARR. EAU - REFR. AIR | WASSEREINLAUFVENTIL - LUFT   |
|  | 650105 70                                   | WATER INL. VAL. - WATER COOL. | ELETTROVALVOLA INGR. ACQUA     | ELECTROV. ARR. EAU - REFR. EAU | WASSEREINLAUFVENTIL - WASSER |
| 8  | 660558 00                                   | SPRAY JET                     | SPRUZZATORI                    | GICLEURS                       | SPRÜHDÜSEN                   |
| 9  | 660557 00                                   | SPRAY CUP                     | UGELLO SPRUZZATORE             | BOUCHON POUR COLLECTEUR        | STOPFEN                      |
| 10                                       | 661029 02                                   | SPRAY BAR & CHUTE SDN 30-35   | ASS. PIASTRA SPRUZZ. SDN 30-35 | ENS. RAMPE D'ARROS. SDN 30-35  | SPRÜHSYSTEM SDN 30-35        |
| 11                                       | 640041 31                                   | O-RING                        | GUARNIZIONE                    | JOINT TORIQUE                  | SIMMER RING                  |
| 12                                       | 793172 00R                                  | WATER INLET ELBOW ASSY        | ASS. INGR. ACQUA A GOMITO      | ENS. ENTREE EAU COUDEE         | ABGEWINKEL ZULAUFROHR        |
| 13                                       | 620433 00                                   | WATER PUMP                    | POMPA                          | POMPE A EAU                    | WASSER PUMPE                 |
| 14                                       | 724332 00                                   | METAL BRACKET                 | SUPPORTO POMPA                 | SUPPORT METALLIQUE             | METALTRAEGER                 |
| 15                                       | 610225 00                                   | PUMP INLET WATER PIPE         | TUBO MANDATA POMPA             | TUYAU EVACUATION               | ABFLUSSROHR                  |
| 16                                       | 281900 01                                   | PLASTIC TUBE - PER METER      | TUBO INGRESSO ACQUA            | TUYAU EN PLASTIQUE - POUR MT.  | PLASTIK ROHR - PRO METER     |
| 17                                       | 610204 00                                   | OVERFLOW DRAIN TUBE           | TUBO SCARICO TROPPO PIENO      | TUYAU VIDANGE TROP PLAIN       | BEHÄLTER ABLAUF              |
|  |   |                               |                                |                                |                              |



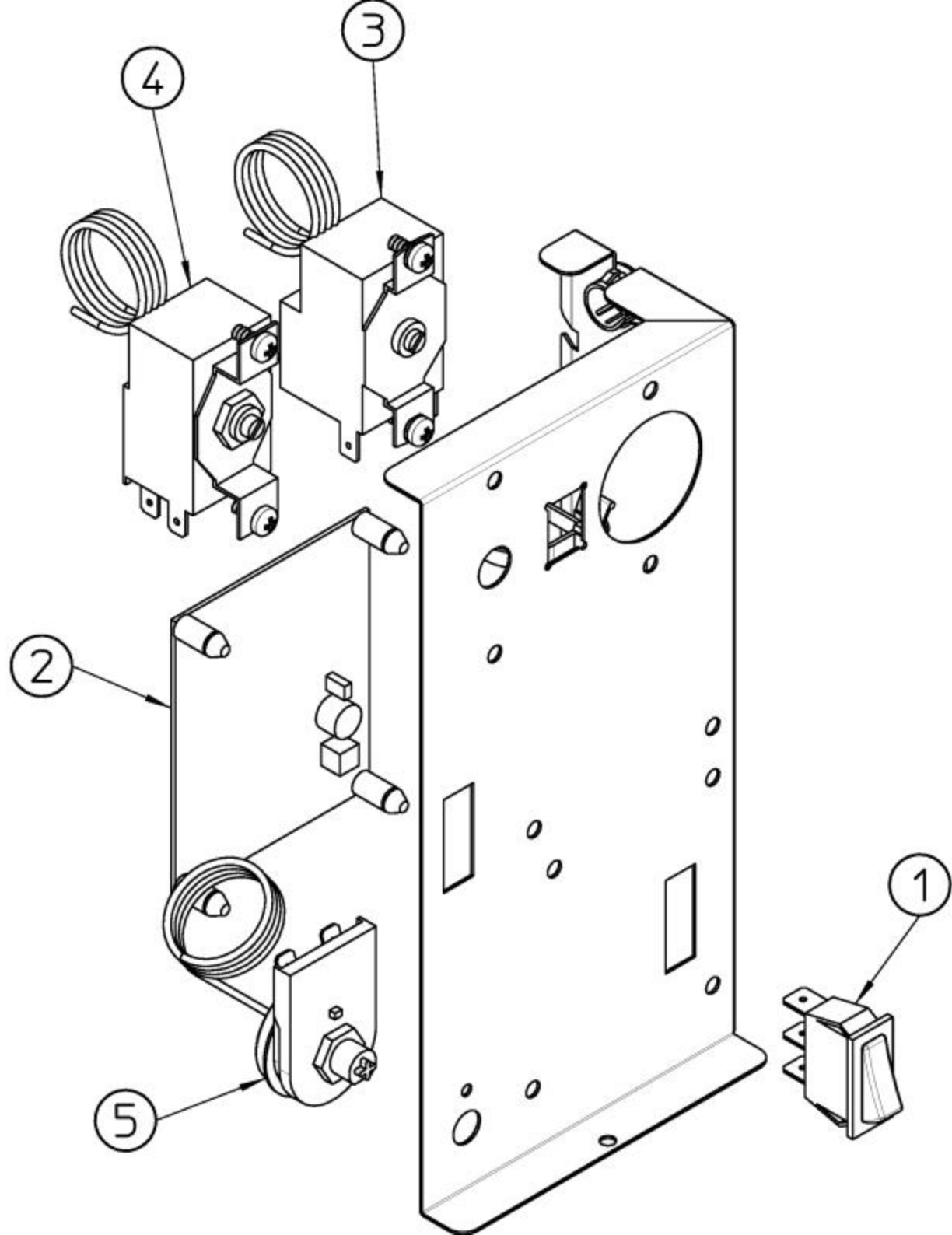
EDIPROM  
BERGAMO  
0106.04

SDN 30 - SDN 35 - CONTROL BOX - SCATOLA DI CONTROLLO - BOITE ELECTRIQUE - SCHALTSCHRANK -

up to/fino a/jusq'à/bis SDN 30 Serial Number MB 778802

up to/fino a/jusq'à/bis SDN 35 Serial Number MC 275823

| ITEM NO<br>POS. NO<br>REP. NO<br>REF. NO | PART NO<br>CODICE<br>REFERENCE<br>STUECK NR | DESCRIPTION           | DESCRIZIONE             | DESIGNATION            | BESCHREIBUNG           |
|--|---|-----------------------|-------------------------|------------------------|------------------------|
| 1  | 620453 00                                   | SWITCH                | INTERRUTTORE LUMINOSO   | INTERRUPTEUR LUMINEUX  | SCHALTER               |
| 2  | 620441 00                                   | TIMER                 | TIMER                   | MINUTERIE              | TIMER                  |
| 3  | 620201 01                                   | EVAPORATOR THERMOSTAT | TERMOSTATO EVAPORATORE  | THERMOSTAT EVAPORATEUR | VERDAMPFER THERMOSTAT  |
| 4  | 630005 00                                   | BIN THERMOSTAT        | TERMOSTATO CONTENITORE  | THERMOSTAT CONTENEUR   | BEHÄLTER THERMOSTAT    |
| 5  | 620443 02                                   | THERMOSTAT - SAFETY   | TERMOSTATO DI SICUREZZA | THERMOSTAT DE SECURITÉ | SICHERHEITS THERMOSTAT |
| 6  | 620442 02                                   | SWITCH                | COMMUTATORE UNIPOLARE   | INTERRUPTEUR           | UMSCHALTER             |
|  |   |                       |                         |                        |                        |



SDN 30 - SDN 35 - CONTROL BOX - SCATOLA DI CONTROLLO - BOITE ELECTRIQUE - SCHALTSCHRANK -  
 from/dal/a partir du/von SDN 30 Serial Number MB 778803  
 from/dal/a partir du/von SDN 35 Serial Number MC 275824

| ITEM NO<br>POS. NO<br>REP. NO<br>REF. NO | PART NO<br>CODICE<br>REFERENCE<br>STUECK NR | DESCRIPTION           | DESCRIZIONE             | DESIGNATION            | BESCHREIBUNG           |
|--|---|-----------------------|-------------------------|------------------------|------------------------|
| 1  | 620453 00                                   | SWITCH                | INTERRUTTORE LUMINOSO   | INTERRUPTEUR LUMINEUX  | SCHALTER               |
| 2  | 620507 00                                   | ELECTRONIC TIMER      | TIMER ELETTRONICO       | MINUTERIE ELECTRONIQUE | ELEKTRONISCHER TIMER   |
| 3  | 630005 00                                   | BIN THERMOSTAT        | TERMOSTATO CONTENITORE  | THERMOSTAT CONTENEUR   | BEHÄLTER THERMOSTAT    |
| 4  | 620201 01                                   | EVAPORATOR THERMOSTAT | TERMOSTATO EVAPORATORE  | THERMOSTAT EVAPORATEUR | VERDAMPFER THERMOSTAT  |
| 5  | 620443 02                                   | THERMOSTAT - SAFETY   | TERMOSTATO DI SICUREZZA | THERMOSTAT DE SECURITÉ | SICHERHEITS THERMOSTAT |
|  |   |                       |                         |                        |                        |



**SDN 30 - SDN 35 COMPRESSORS CHART - TABELLA COMPRESSORI**  
**TABLEAU COMPRESSEURS - KOMPRESSOR KARTE**

| MODEL<br>MODELLO<br>MODELE<br>MODELL | VOLTS<br>TENSIONE<br>TENSION<br>SPANNUNG | COMPRESSOR MODEL<br>MOD. COMPRESSORE<br>TYPE COMPRESSEUR<br>KOMPRESSOR TYP | COMPRESSOR<br>COMPRESSORE<br>COMPRESSEUR<br>KOMPRESSOR | RELAY<br>RELE'<br>RELAIS<br>RELAIS | PROTECTOR<br>PROTETTORE<br>PROTECTEUR<br>SCHUTZGERAT | START CAPACITOR<br>CONDENS. DI SPUNTO<br>CAPACITE'/DEMARRAGE<br>START KONDENSATOR |
|--------------------------------------|--|--|--|------------------------------------|--|---|
| SDN 30-SDN 35                        | 115/60/1                                 | -  | -  | -                                  | -  | -   |
| SDN 30-SDN 35                        | 230/60/1                                 | NEK6160Z   | 670105 04  | EMB 2334121                        | EMB 2319095  | EMB 2252346   |
| SDN 30-SDN 35                        | 230/50/1                                 | NEK6160Z   | 670105 03  | EMB 2334116                        | EMB 2319069  | EMB 2252347   |

**SDN 30 - SDN 35 ELECTRIC COMPONENTS CHART - TABELLA COMPONENTI ELETTRICI**  
**TABLEAU COMPOSANTS ELECTRIQUE - ELEKTRISCHEKARTE**

| MODEL<br>MODELLO<br>MODELE<br>MODELL | VOLTS<br>TENSIONE<br>TENSION<br>SPANNUNG | WATER PUMP<br>POMPA<br>POMPE A EAU<br>WASSER PUMPE | FAN MOTOR ONLY<br>MOTORE VENTILATORE<br>MOTEUR VENTILATEUR<br>LUFTER MOTOR | WATER INLET VALVE<br>VALV. INGR. ACQUA<br>V.E.M. ARRIVEE' EAU<br>WASSEREIN. VENTIL | HOT GAS VALVE<br>VALVOLA GAS CALDO<br>V.E.M. GAZ CHAUDS<br>HEISSGAZ VENTIL | TIMER<br>TIMER<br>MINUTERIE<br>TIMER |
|--------------------------------------|--|--|--|--|--|--------------------------------------|
| SDN 30-SDN 35                        | 115/60/1                                 | -  | -  | -  | -  | -                                    |
| SDN 30-SDN 35                        | 230/60/1                                 | 620433 01  | 620419 02  | 650105 66  | 620306 48  | 620507 00                            |
| SDN 30-SDN 35                        | 230/50/1                                 | 620433 00  | 620419 02  | 650105 66  | 620306 48  | 620507 00                            |



---

**SIMAG**

Via Pascoli, 22 - 20010 Pogliano Milanese (Milano) Italy  
Tel. +39 02 93900215 (Commerciale - Sales Dept.)  
Tel. +39 02 93960357 (Assistenza - Service Dept.)  
Fax +39 02 93900226 (Commerciale - Sales Dept.)  
Fax +39 02 93960366 (Assistenza - Service Dept.)  
E-mail: [sales@simag.it](mailto:sales@simag.it) • [service@simag.it](mailto:service@simag.it)  
[www.simag.it](http://www.simag.it)

